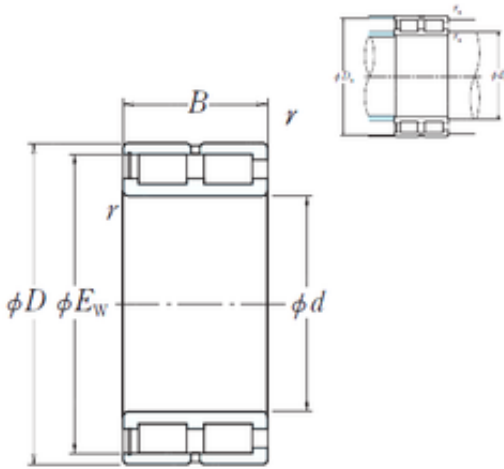




BEARING DRIVESHAFT ANDERSON, INC.

260 mm x 360 mm x 100 mm NSK NNCF4952V Cylindrical roller bearing

Bearing No. NNCF4952V



NNCF4952V Bearing 2D drawings and 3D CAD models

Size	260x331.5x100 mm
Bore Diameter	260 mm
Outer Diameter	331,5 mm
Width	100 mm
d	260 mm
D	360 mm
Ew	331,5 mm
B	100 mm
C	100 mm
r min.	2,1 mm
Da	342 mm
ra max.	2 mm
da	277 mm
Weight	32 Kg
Basic dynamic load rating (C)	1050 kN