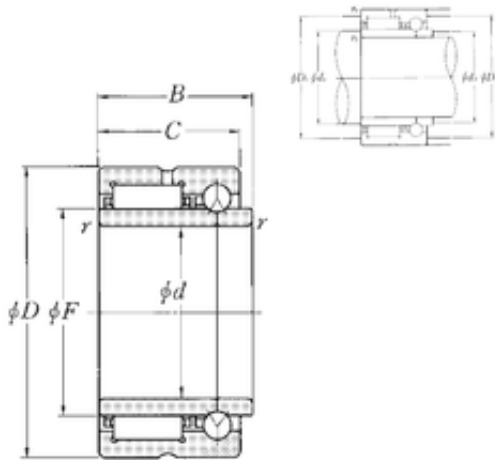




BEARING DRIVESHAFT ANDERSON, INC.

50 mm x 72 mm x 34 mm NTN NKIB5910R Complex bearing



Bearing No. NKIB5910R

Size	50x72x34 mm
Bore Diameter	50 mm
Outer Diameter	72 mm
Width	34 mm
d	50 mm
F	58 mm
D	72 mm
B	34 mm
C	30 mm
r min.	0,6 mm
da min.	55 mm
Da max.	67 mm
ra max.	0,6 mm
Weight	0,385 Kg
Dynamic load rating radial (C)	48 kN
Dynamic load rating axial (C)	9,6 kN
Static load rating radial (C0)	80 kN
Static load rating axial (C0)	24,3 kN
(Grease) Lubrication Speed	4300 r/min

NKIB5910R Bearing 2D drawings and 3D CAD models