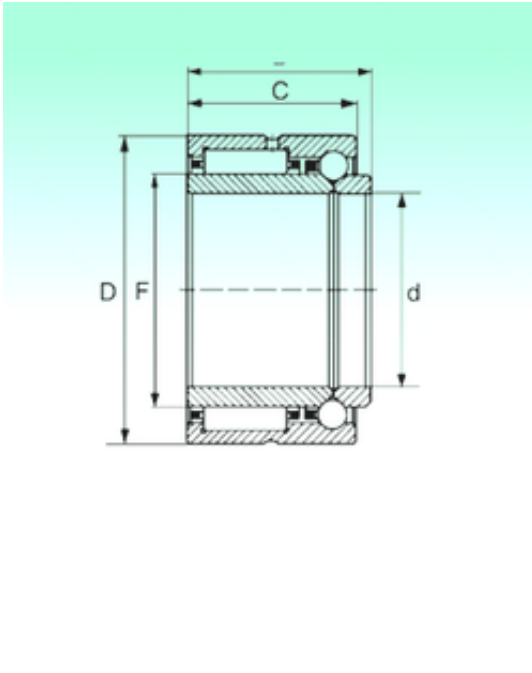




## BEARING DRIVESHAFT ANDERSON, INC.



NKIB 5914 Bearing 2D drawings and 3D CAD models

70 mm x 100 mm x 45 mm NBS NKIB 5914  
Complex bearing

Bearing No. NKIB 5914

Size	70x100x45 mm
Bore Diameter	70 mm
Outer Diameter	100 mm
Width	45 mm
d	70 mm
F	80 mm
D	100 mm
B	45 mm
C	40 mm
Weight	0,985 Kg
Dynamic load rating radial (C)	79,8 kN
Dynamic load rating axial (C)	12,825 kN
Static load rating radial (C0)	148,2 kN
Static load rating axial (C0)	27,55 kN