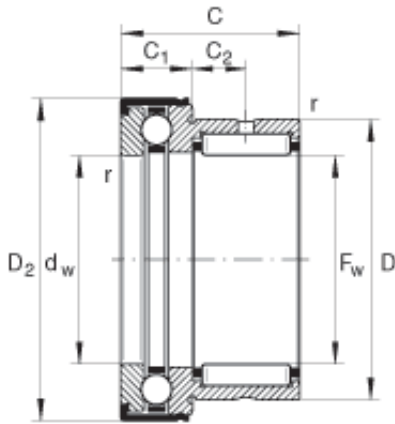




# BEARING DRIVESHAFT ANDERSON, INC.



## INA NKX12-Z Complex bearing

Bearing No. NKX12-Z

Size	12x21x23 mm
Bore Diameter	12 mm
Outer Diameter	21 mm
Width	23 mm
$F_w$	12 mm
D	21 mm
C - 23 mm / Tolerance: -0,25	23 mm / Tolerance: 0,25
$C_1$ - 9 mm / Tolerance: -0,2	9 mm / Tolerance: 0,2
$C_2$	6,5 mm
$D_{2\max}$	27,2 mm
$d_a$	21,7 mm
$d_w$	12 mm / Tolerance: E8
$r_{a\max}$	0,3 mm
$r_{\min}$	0,3 mm
	NAXK12Z / Designation to DIN 5429
m	40 g / Weight
$C_r$	10100 N / Dynamic load rating (radial)
$C_{0r}$	11000 N / Static load rating (radial)
$C_a$	10300 N / Dynamic load rating (axial)
$C_{0a}$	15400 N / Static load rating (axial)
$C_{ur}$	1920 N / Fatigue limit load,

NKX12-Z Bearing 2D drawings and 3D CAD models



## BEARING DRIVESHAFT ANDERSON, INC.

	radial
$C_{ua}$	740 N / Fatigue limit load, axial
$n_G$	11000 1/min / Limiting speed
	IR9X12X16 / Suitable inner ring
Category	Thrust Roller Bearing
Inventory	7.0
Manufacturer Name	SCHAEFFLER GROUP
Minimum Buy Quantity	N/A
Weight / Kilogram	0.5
EAN	4012802702934
Product Group	B04144
Rolling Element	Combination - Needle Roller and Thrust Ball Bearing
Self Aligning	No
Component Description	Roller Assembly plus Raceways
Thrust Bearing	Yes
Single or Double Direction	Single Direction
Banded	No
Cage Material	Steel
Precision Class	ABEC 1   ISO P0
Other Features	With Grease Retaining Cap
Long Description	12MM Bore 1; 12MM Bore 2; 21MM Outside Diameter; 23MM Height; Combination - Needle Roller and Thrust Ball Bearing; Single Direction; Not Self Aligning; Not Banded; Steel Cage; ABEC 1   ISO P0; Roller
Inch - Metric	Metric



## BEARING DRIVESHAFT ANDERSON, INC.

Category	Thrust Roller Bearings
UNSPSC	31171537
Harmonized Tariff Code	8482.80.00.40
Noun	Bearing
Keyword String	Combination
Manufacturer URL	<a href="http://www.ina.com">http://www.ina.com</a>
Manufacturer Item Number	NKX12Z
Weight / LBS	0.084
Bore 1	0.472 Inch   12 Millimeter
Bore 2	0.472 Inch   12 Millimeter
Outside Diameter	0.827 Inch   21 Millimeter
Height	0.906 Inch   23 Millimeter
Overall Height with Aligning Washer	0 Inch   0 Millimeter