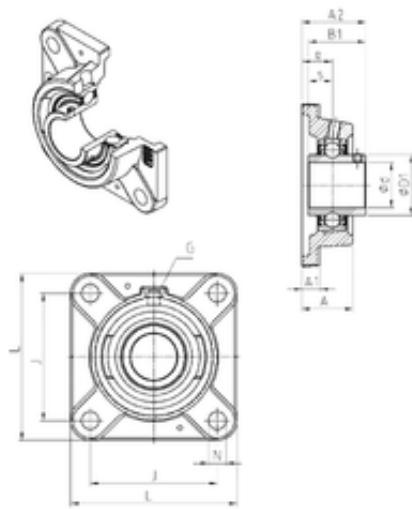




# BEARING DRIVESHAFT ANDERSON, INC.



## SNR UCFC208 Bearing unit

Bearing No. UCFC208

Bore Diameter	40 mm
d	40 mm
e	24 mm
s	19 mm
A	39,5 mm
A1	13 mm
B1	49,2 mm
D1	53 mm
J	101,5 mm
L	130 mm
N	14 mm
Thread (G)	R1/8"
A2	54,2 mm
Weight	2,1 Kg
Basic dynamic load rating (C)	29,6 kN

UCFC208 Bearing 2D drawings and 3D CAD models