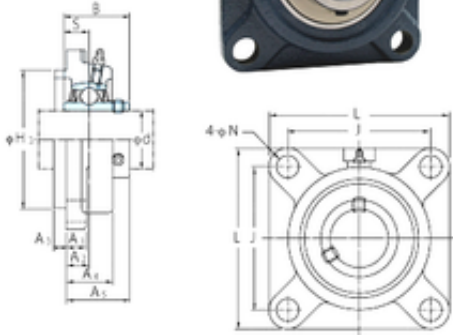




BEARING DRIVESHAFT ANDERSON, INC.

FYH UCFS317 Bearing unit

Bearing No. UCFS317



UCFS317 Bearing 2D drawings and 3D CAD models

Bore Diameter	85 mm
d	85 mm
H3	220 mm
A4	54 mm
A5	80 mm
A1	27 mm
B	96 mm
J	204 mm
L	260 mm
N	31 mm
S	40 mm
Bolt (G)	M27
A2	24 mm
A3	20 mm
Weight	17,3 Kg
Basic dynamic load rating (C)	133 kN
Basic static load rating (C0)	96,8 kN