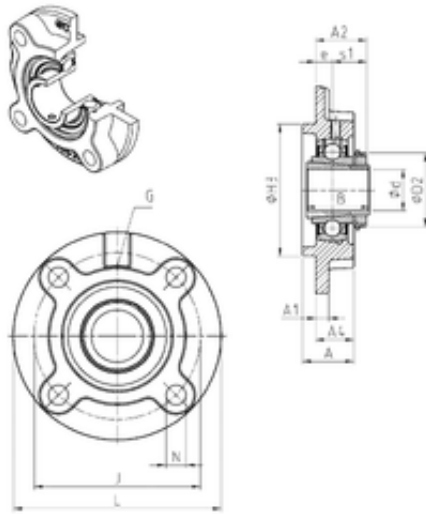




BEARING DRIVESHAFT ANDERSON, INC.



SNR UKFC209H Bearing unit

Bearing No. UKFC209H

Bore Diameter	40 mm
d	40 mm
H3	105 mm
A4	26 mm
e	10 mm
s1	26 mm
A	38 mm
A1	10 mm
B	50 mm
D2	65 mm
J	132 mm
L	160 mm
N	16 mm
Thread (G)	M6x1
A2	36 mm
Weight	2,6 Kg
Basic dynamic load rating (C)	31,85 kN

UKFC209H Bearing 2D drawings and 3D CAD models