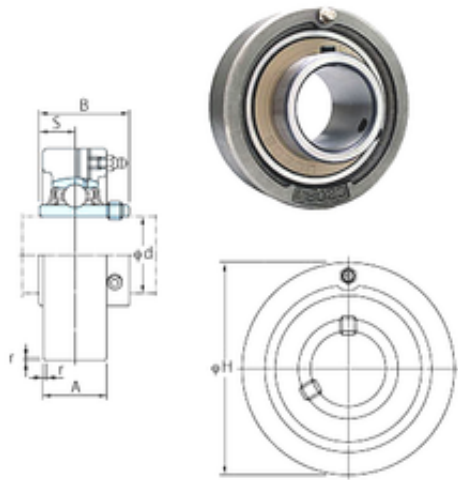




BEARING DRIVESHAFT ANDERSON, INC.

FYH UCCX06-19 Bearing unit

Bearing No. UCCX06-19



Bore Diameter	30,1625 mm
Width	42,9 mm
d	30,1625 mm
r	2 mm
A	30 mm
B	42,9 mm
H	100 mm
S	17,5 mm
Weight	1,3 Kg
Basic dynamic load rating (C)	25,7 kN
Basic static load rating (C0)	15,4 kN

UCCX06-19 Bearing 2D drawings and 3D CAD models