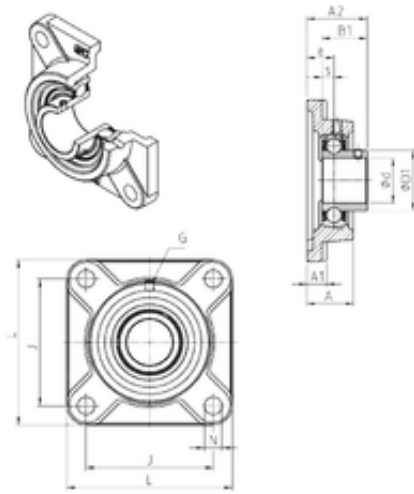




BEARING DRIVESHAFT ANDERSON, INC.



SNR USF204 Bearing unit

Bearing No. USF204

Bore Diameter	20 mm
d	20 mm
e	15 mm
s	7 mm
A	25,5 mm
A1	11 mm
B1	25 mm
D1	29 mm
J	64 mm
L	86 mm
N	12 mm
Thread (G)	M6x1
A2	33 mm
Weight	0,6 Kg
Basic dynamic load rating (C)	12,8 kN

USF204 Bearing 2D drawings and 3D CAD models