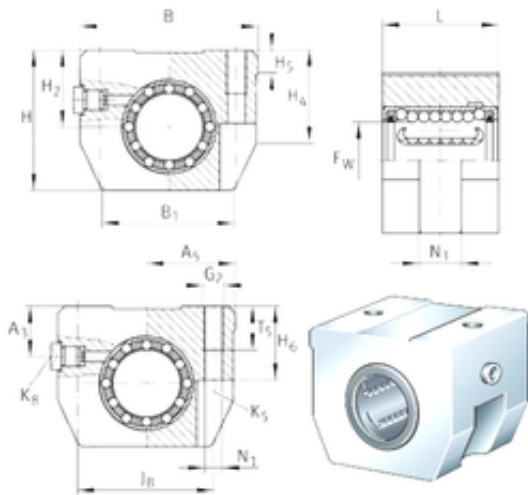




BEARING DRIVESHAFT ANDERSON, INC.



INA KGHK16-B-PP-AS Bearing unit

Bearing No. KGHK16-B-PP-AS

Bore Diameter	16 mm
Fw	16 mm
H4	28,1 mm
H5	6,9 mm
H6	18 mm
A5	21,5 mm
B	43 mm
B1	34 mm
H	36,5 mm
H2	19 mm
L	30,2 mm
N1	4,3 mm
A3	13 mm
N2	10 mm
Thread (G2)	M5
JB	34 mm
T5	11 mm
Thread (K5)	M4
Weight	0,11 Kg
Basic dynamic load rating (C)	0,89 kN

KGHK16-B-PP-AS Bearing 2D drawings and 3D CAD models