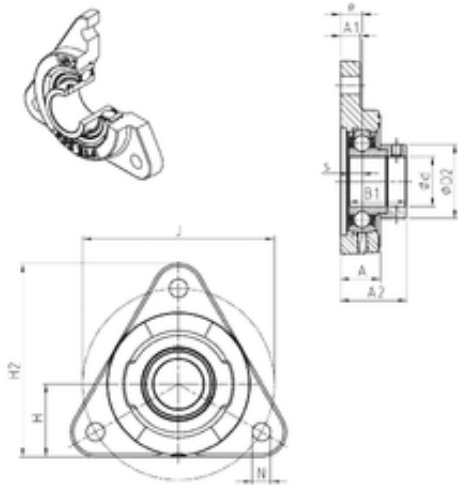




BEARING DRIVESHAFT ANDERSON, INC.



SNR ESFTE207 Bearing unit

Bearing No. ESFTE207

Bore Diameter	35 mm
d	35 mm
e	15,6 mm
s	9,5 mm
A	27 mm
A1	16 mm
B1	38,9 mm
D2	55,6 mm
H	48 mm
H2	128 mm
J	129,7 mm
N	13,5 mm
Thread (G)	R1/8"
A2	45 mm
Weight	1,5 Kg
Basic dynamic load rating (C)	25,7 kN

ESFTE207 Bearing 2D drawings and 3D CAD models