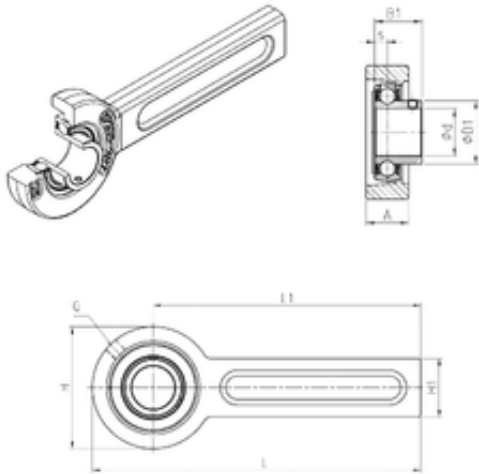




BEARING DRIVESHAFT ANDERSON, INC.



SNR USSP204 Bearing unit

Bearing No. USSP204

Bore Diameter	20 mm
d	20 mm
s	7 mm
A	21 mm
B1	25 mm
D1	29 mm
H	78 mm
H1	41 mm
L	264 mm
L1	225 mm
Thread (G)	R1/8"
Weight	1,6 Kg
Basic dynamic load rating (C)	12,8 kN
B	25 mm
A5	18 mm
G	R1/8"
H2	41 mm
s1	12.5 mm
S	7 mm
SW	3 mm
C	12.8 kN
C0	6.65 kN
T min.	-20 ° C
T max.	100 ° C
Recommended tightening torque for set screw	5.5 Nm

USSP204 Bearing 2D drawings and 3D CAD models



BEARING DRIVESHAFT ANDERSON, INC.

Designation of housing	SP203-205/47-
Designation of bearing	US204G2