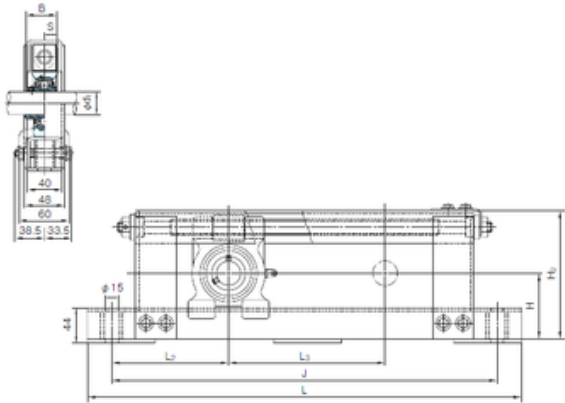




BEARING DRIVESHAFT ANDERSON, INC.



NACHI UCTL204+WL400 Bearing unit

Bearing No. UCTL204+WL400

Bore Diameter	20 mm
Width	31 mm
d	20 mm
L2	135 mm
L3	400 mm
B	31 mm
H	77 mm
H2	146 mm
J	670 mm
L	730 mm
S	12,7 mm
Bolt (G)	M12

UCTL204+WL400 Bearing 2D drawings and 3D CAD models