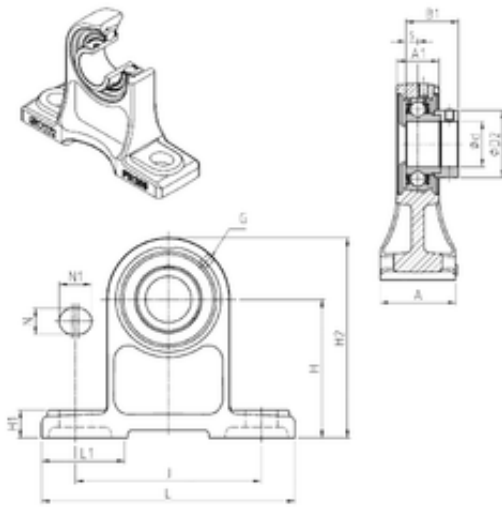




BEARING DRIVESHAFT ANDERSON, INC.



SNR ESPH208 Bearing unit

Bearing No. ESPH208

| | |
|-------------------------------|---------|
| Bore Diameter | 40 mm |
| d | 40 mm |
| s | 11 mm |
| A | 70 mm |
| A1 | 34 mm |
| B1 | 43,7 mm |
| D2 | 60,3 mm |
| H | 100 mm |
| H1 | 19 mm |
| H2 | 149 mm |
| J | 137 mm |
| L | 184 mm |
| L1 | 58 mm |
| N | 17 mm |
| N1 | 25 mm |
| Thread (G) | M6x1 |
| Weight | 2,8 Kg |
| Basic dynamic load rating (C) | 29,6 kN |

ESPH208 Bearing 2D drawings and 3D CAD models