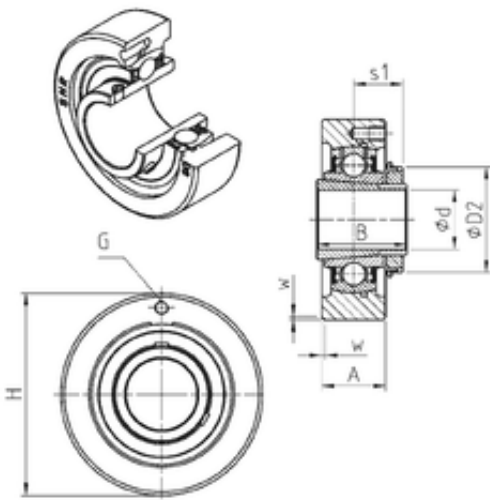




# BEARING DRIVESHAFT ANDERSON, INC.

## SNR UKC212H Bearing unit

Bearing No. UKC212H



UKC212H Bearing 2D drawings and 3D CAD models

Bore Diameter	55 mm
Width	62 mm
d	55 mm
s1	31 mm
A	38 mm
B	62 mm
D2	80 mm
H	130 mm
W	2,5 mm
Thread (G)	M6x1
Weight	2,7 Kg
Basic dynamic load rating (C)	52,5 kN
A3	2.5 mm
A5	31 mm
B1	62 mm
d1	80 mm
G	M6x1
C	52.5 kN
C0	32.8 kN
T min.	-20 ° C
T max.	100 ° C
Adapter sleeve reference	H2312
Designation of housing	C212-
Designation of bearing	UK212G2H