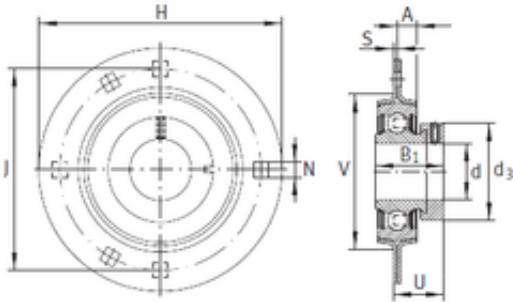




# BEARING DRIVESHAFT ANDERSON, INC.

## INA RA50 Bearing unit



RA50 Bearing 2D drawings and 3D CAD models

Bearing No. RA50

Bore Diameter	50 mm
d	50 mm
V	100 mm
U	36,7 mm
d3	69 mm
A	11,1 mm
B1	43,8 mm
H	155,5 mm
J	127 mm
N	13,5 mm
S	4 mm
Category	Flange Block Bearings
Inventory	0.0
Manufacturer Name	SCHAEFFLER GROUP
Minimum Buy Quantity	N/A
Weight / Kilogram	2.012
EAN	4012802792607
Product Group	M06110
Number of Mounting Holes	4
Mounting Method	Eccentric Collar
Housing Style	4 Bolt Round Flange Block
Rolling Element	Ball Bearing
Housing Material	Stamped Steel
Expansion / Non-expansion	Non-expansion
Mounting Bolts	13.5 Millimeter
Relubricatable	No



## BEARING DRIVESHAFT ANDERSON, INC.

Insert Part Number	GRAE50NPPB
Seals	Double Lip Contact
Housing Configuration	1 Piece Solid
Pilot Configuration	No Pilot
Inch - Metric	Metric
Long Description	4 Bolt Round Flange Block; 50MM Bore; 127MM Bolt Circle; 88.9MM Bolt Spacing; 1 Piece Solid; Eccentric Collar Mount; Stamped Steel; Ball Bearing; 43.8MM Length Thru Bore; No Relubricatable; Double Lip
Other Features	Single Row   With Set Screw
Category	Flange Block
UNSPSC	31171501
Harmonized Tariff Code	8483.20.40.40
Noun	Bearing
Keyword String	Flanged
Manufacturer URL	<a href="http://www.ina.com">http://www.ina.com</a>
Manufacturer Item Number	RA50
Weight / LBS	3.704
Cartridge Pilot Depth	0 Inch   0 Millimeter
Cartridge Pilot Diameter	0 Inch   0 Millimeter
Bolt Spacing	3.5 Inch   88.9 Millimeter
Length Thru Bore	1.724 Inch   43.8 Millimeter
Bore	1.969 Inch   50 Millimeter
Nominal Bolt Circle Diameter Round	5 Inch   127 Millimeter