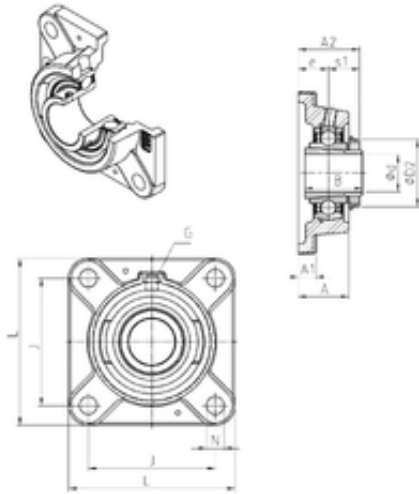




BEARING DRIVESHAFT ANDERSON, INC.

SNR UKFE218H Bearing unit

Bearing No. UKFE218H



UKFE218H Bearing 2D drawings and 3D CAD models

Bore Diameter	80 mm
d	80 mm
e	23,8 mm
s1	42 mm
A	45 mm
A1	22 mm
B	86 mm
D2	120 mm
J	187 mm
L	235 mm
N	23 mm
Thread (G)	R1/8"
A2	65,8 mm
Weight	10,7 Kg
Basic dynamic load rating (C)	96 kN