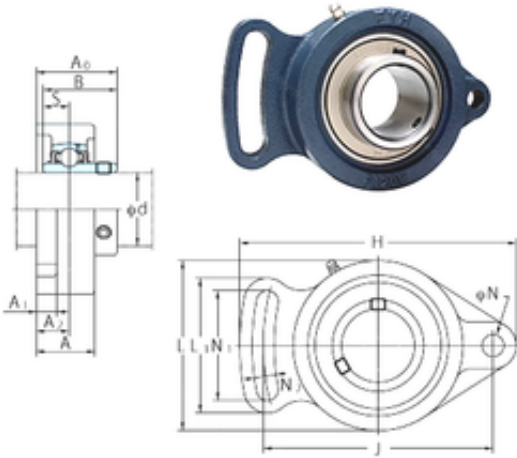




BEARING DRIVESHAFT ANDERSON, INC.

FYH UCFA208 Bearing unit

Bearing No. UCFA208



UCFA208 Bearing 2D drawings and 3D CAD models

Bore Diameter	40 mm
d	40 mm
A0	51 mm
A	38 mm
A1	14 mm
B	49,2 mm
H	171 mm
J	144 mm
L	105 mm
L1	84 mm
N	13 mm
N1	70 mm
S	19 mm
Bolt (G)	M12
A2	20,8 mm
N2	13 mm
Weight	1,9 Kg
Basic dynamic load rating (C)	29,1 kN
Basic static load rating (C0)	17,8 kN