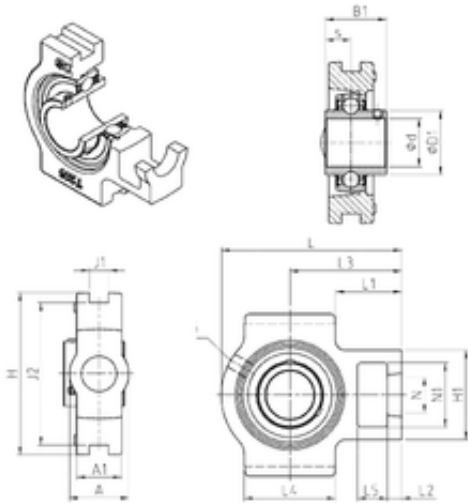




BEARING DRIVESHAFT ANDERSON, INC.



UCT207 Bearing 2D drawings and 3D CAD models

SNR UCT207 Bearing unit

Bearing No. UCT207

Bore Diameter	35 mm
d	35 mm
L4	64 mm
L5	16 mm
L2	13 mm
L3	78 mm
s	17,5 mm
A	37 mm
A1	30 mm
B1	42,9 mm
D1	48 mm
H	102 mm
H1	64 mm
L	129 mm
L1	46 mm
N	22 mm
N1	37 mm
Thread (G)	M6x1
J1	12 mm
J2	89 mm
Weight	1,6 Kg
Basic dynamic load rating (C)	25,7 kN
A2	30 mm
B	42.9 mm
A5	25.4 mm
G	M6x1



BEARING DRIVESHAFT ANDERSON, INC.

H2	64 mm
N2	37 mm
s1	21.45 mm
S	17.5 mm
SW	4 mm
C	25.7 kN
C0	15.2 kN
T min.	-20 ° C
T max.	100 ° C
Recommended tightening torque for set screw	11.5 Nm
Designation of housing	T207-
Designation of bearing	UC207G2