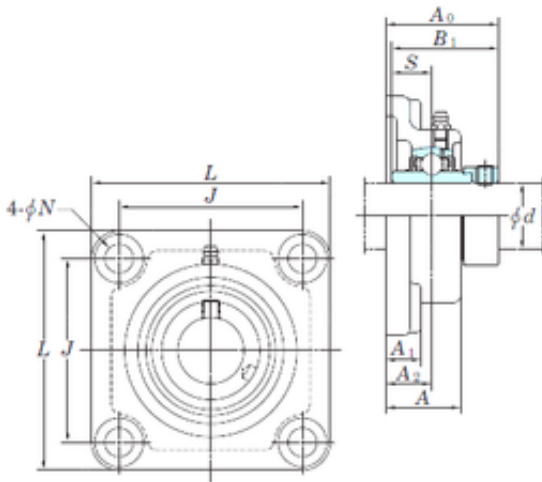




BEARING DRIVESHAFT ANDERSON, INC.

KOYO NANF208-24 Bearing unit

Bearing No. NANF208-24



NANF208-24 Bearing 2D drawings and 3D CAD models

Bore Diameter	38,1 mm
d	38,1 mm
A0	58,9 mm
A	39 mm
A1	17 mm
B1	56,3 mm
J	102 mm
L	130 mm
N	14 mm
S	21,4 mm
Bolt (G)	12,7
A2	24 mm
Weight	2,2 Kg
Basic dynamic load rating (C)	29,1 kN
Basic static load rating (C0)	17,8 kN