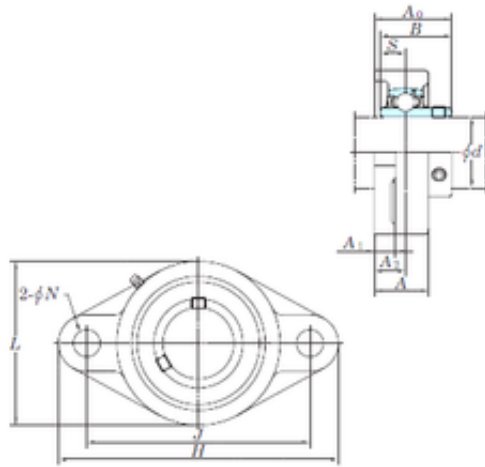




# BEARING DRIVESHAFT ANDERSON, INC.



## KOYO UCFLX08 Bearing unit

Bearing No. UCFLX08

Bore Diameter	40 mm
d	40 mm
A0	52,2 mm
A	40 mm
A1	14 mm
B	49,2 mm
H	179 mm
J	148 mm
L	111 mm
N	16 mm
S	19 mm
A2	22 mm
Weight	2,1 Kg
Basic static load rating (C0)	34,1 kN

UCFLX08 Bearing 2D drawings and 3D CAD models