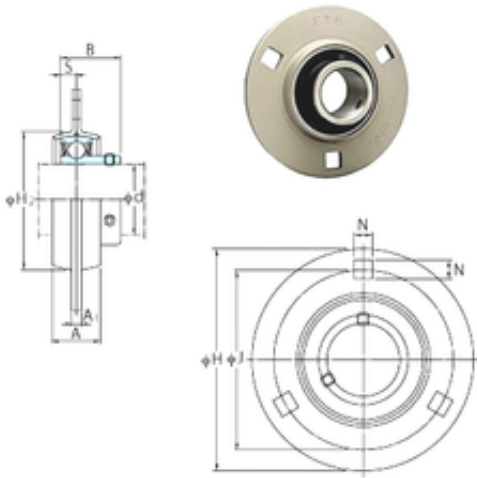




BEARING DRIVESHAFT ANDERSON, INC.

FYH SBPF201 Bearing unit

Bearing No. SBPF201



SBPF201 Bearing 2D drawings and 3D CAD models

Bore Diameter	12 mm
Width	22 mm
d	12 mm
A	14 mm
A1	4 mm
B	22 mm
H	81 mm
H2	49 mm
J	63,5 mm
N	7,1 mm
S	6 mm
Bolt (G)	M6
Weight	0,27 Kg
Basic dynamic load rating (C)	9,55 kN
Basic static load rating (C0)	4,8 kN
Category	Bearings
Inventory	0.0
Manufacturer Name	FYH BEARING UNITS
Minimum Buy Quantity	N/A
Weight / Kilogram	0
Product Group	M06110