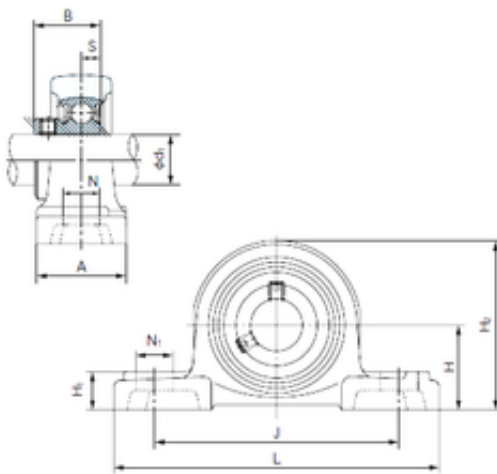




BEARING DRIVESHAFT ANDERSON, INC.

NACHI BP205 Bearing unit

Bearing No. BP205



BP205 Bearing 2D drawings and 3D CAD models

Bore Diameter	25 mm
Width	27 mm
d	25 mm
A	38 mm
B	27 mm
H	36.5 mm
H1	16 mm
H2	70 mm
J	105 mm
L	140 mm
N	13 mm
N1	16 mm