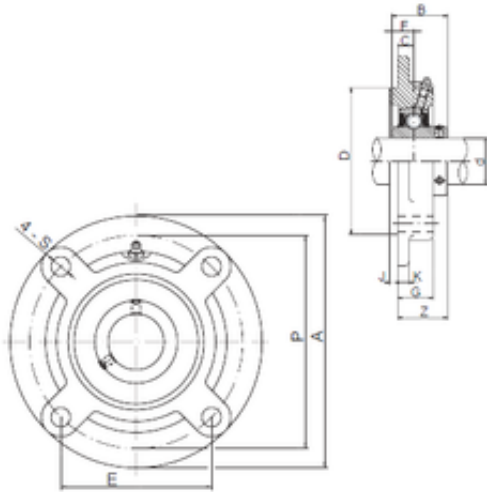




BEARING DRIVESHAFT ANDERSON, INC.

45 mm x 105 mm x 49,2 mm ISO UCFC209
Bearing unit



Bearing No. UCFC209

Bore Diameter	45 mm
d	45 mm
P	132 mm
Z	40,2 mm
A	160 mm
B	49,2 mm
C	10 mm
D	105 mm
E	93,3 mm
F	19 mm
G	26 mm
J	12 mm
K	14 mm
S	16 mm
Bolt (G)	M14

UCFC209 Bearing 2D drawings and 3D CAD models