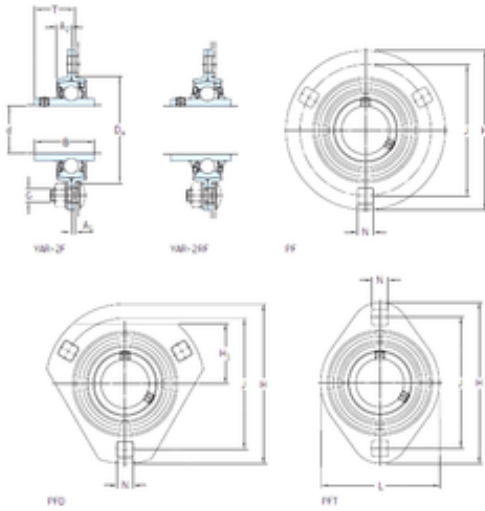




BEARING DRIVESHAFT ANDERSON, INC.



PFT 25 TR Bearing 2D drawings and 3D CAD models

SKF PFT 25 TR Bearing unit

Bearing No. PFT 25 TR

Bore Diameter	25 mm
Width	34,1 mm
d	25 mm
Da	60 mm
A1	2 mm
B	34,1 mm
G	8 mm
H	95 mm
H1	– mm
J	76 mm
L	71 mm
N	8,7 mm
T	21,8 mm
A2	9 mm
Weight	0,28 Kg
Basic dynamic load rating (C)	14 kN
Basic static load rating (C0)	7,8 kN
Housing material	Pressed steel
D _a min.	56 mm
A ₁	2 mm
A ₂	9 mm
B ₄	5 mm
s ₁	19.8 mm
Basic dynamic load rating C	14 kN
Basic static load rating C ₀	7.8 kN
Fatigue load limit P _u	0.335 kN



BEARING DRIVESHAFT ANDERSON, INC.

Limiting speed	4300 r/min
Mass bearing unit	0.28 kg
Thread grub screw G_2	M6x0.75
Hexagonal key size for grub screw N	3 mm
Recommended tightening torque for grub screw	4 N · m
Recommended diameter for attachment bolts, mm G	8 mm
Recommended diameter for attachment bolts, inch G	0.3125 in