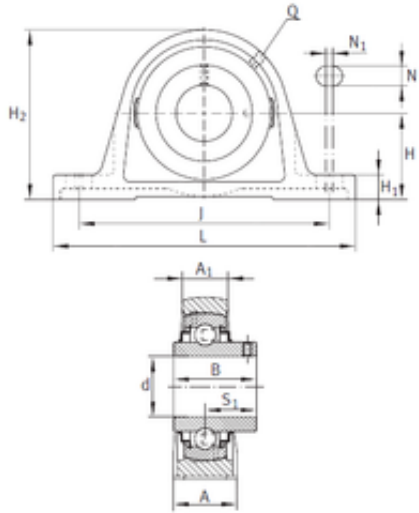




BEARING DRIVESHAFT ANDERSON, INC.



INA RASEY2-7/16 Bearing unit

Bearing No. RASEY2-7/16

Bore Diameter	61,913 mm
d	61,913 mm
S1	39,701 mm
Thread (Q)	1/8 NPT
A	64,999 mm
A1	46,99 mm
B	65,101 mm
H	69,901 mm
H1	27,991 mm
H2	140 mm
J	189,256 mm
L	245 mm
N	18,009 mm
N1	12,243 mm

RASEY2-7/16 Bearing 2D drawings and 3D CAD models