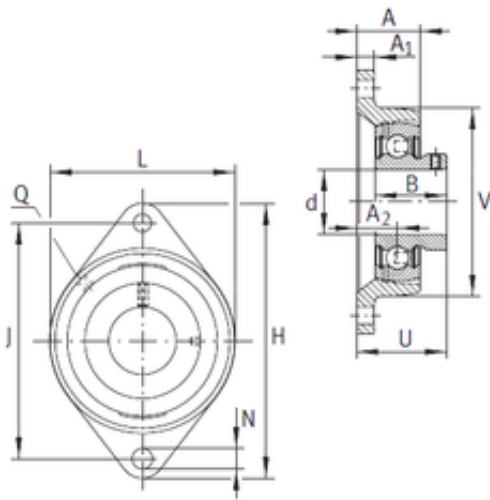




BEARING DRIVESHAFT ANDERSON, INC.



INA PCJTY30-N Bearing unit

Bearing No. PCJTY30-N

Bore Diameter	30 mm
d	30 mm
V	80 mm
U	41 mm
Thread (Q)	Rp1/8
A	29 mm
A1	12 mm
B	30 mm
H	142 mm
J	116,5 mm
L	80 mm
N	11,5 mm
A2	20 mm
Weight	0,77 Kg
Basic dynamic load rating (C)	19,5 kN
Category	Flange Block Bearings
Inventory	0.0
Manufacturer Name	SCHAEFFLER GROUP
Minimum Buy Quantity	N/A
Weight / Kilogram	0.899
EAN	4012802096958
Product Group	M06110
Number of Mounting Holes	2
Mounting Method	Set Screw
Housing Style	2 Bolt Flange Block
Rolling Element	Ball Bearing

PCJTY30-N Bearing 2D drawings and 3D CAD models



BEARING DRIVESHAFT ANDERSON, INC.

Housing Material	Cast Iron
Expansion / Non-expansion	Non-expansion
Mounting Bolts	11.5 Millimeter
Relubricatable	Yes
Insert Part Number	GAY30NPPB
Seals	Double Lip Contact
Housing Configuration	1 Piece Solid
Pilot Configuration	No Pilot
Inch - Metric	Metric
Long Description	2 Bolt Flange Block; 30MM Bore; 117MM Bolt Circle; 116.5MM Bolt Spacing; 1 Piece Solid; Set Screw Mount; Cast Iron; Ball Bearing; 30MM Length Thru Bore; Relubricatable; Double Lip Contact Seal
Other Features	Single Row Radial Metric With Grub Screw
Category	Flange Block
UNSPSC	31171501
Harmonized Tariff Code	8483.20.40.40
Noun	Bearing
Keyword String	Flanged
Manufacturer URL	http://www.ina.com
Manufacturer Item Number	PCJTY30
Weight / LBS	2.205
Bolt Spacing	4.587 Inch 116.5 Millimeter
Bore	1.181 Inch 30 Millimeter
Cartridge Pilot Diameter	0 Inch 0 Millimeter
Nominal Bolt Circle Diameter Round	4.6 Inch 117 Millimeter
Length Thru Bore	1.181 Inch 30 Millimeter