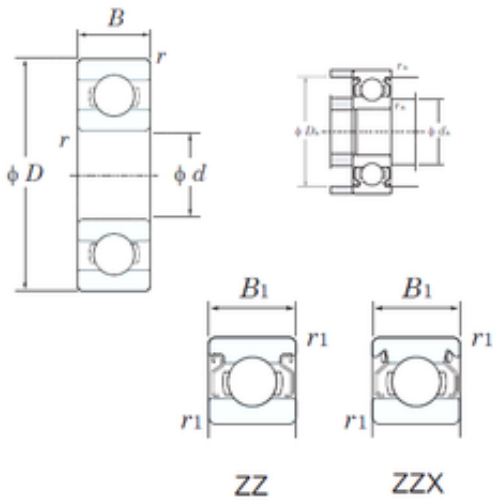




BEARING DRIVESHAFT ANDERSON, INC.



4 mm x 16 mm x 5 mm KOYO 634ZZ Ball bearing

Bearing No. 634ZZ

634ZZ Bearing 2D drawings and 3D CAD models

Size	4x16x5 mm
Bore Diameter	4 mm
Outer Diameter	16 mm
Width	5 mm
d	4 mm
D	16 mm
B	5 mm
C	5 mm
r min.	0,3 mm
r1 min.	0,3 mm
da min.	6 mm
Da max.	14 mm
ra max.	0,3 mm
Weight	0,0053 Kg
Basic dynamic load rating (C)	1,75 kN
Basic static load rating (C0)	0,67 kN
(Grease) Lubrication Speed	40000 r/min
Category	Single Row Ball Bearings
Inventory	0.0
Manufacturer Name	KOYO
Minimum Buy Quantity	N/A
Weight / Kilogram	0
Product Group	B00308
Enclosure	2 Metal Shields
Precision Class	ABEC 1 ISO P0



BEARING DRIVESHAFT ANDERSON, INC.

Maximum Capacity / Filling Slot	No
Rolling Element	Ball Bearing
Snap Ring	No
Internal Special Features	No
Cage Material	Steel
Internal Clearance	C0-Medium
Inch - Metric	Metric
Long Description	4MM Bore; 16MM Outside Diameter; 5MM Outer Race Width; 2 Metal Shields; Ball Bearing; ABEC 1 ISO P0; No Filling Slot; No Snap Ring; No Internal Special Features; C0-Medium Internal Clearance; Steel
Other Features	Deep Groove
Category	Single Row Ball Bearing
UNSPSC	31171504
Harmonized Tariff Code	8482.10.50.68
Noun	Bearing
Keyword String	Ball
Manufacturer URL	http://www.koyousa.com
Weight / LBS	0.0117
Bore	0.157 Inch 4 Millimeter
Outer Race Width	0.197 Inch 5 Millimeter
Outside Diameter	0.63 Inch 16 Millimeter
Inner Race Width	0 Inch 0 Millimeter