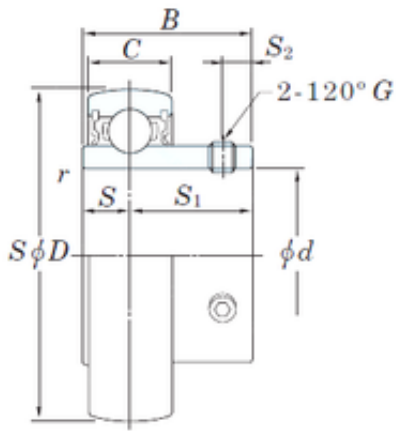




## BEARING DRIVESHAFT ANDERSON, INC.



20 mm x 42 mm x 21 mm KOYO SU004S6 Ball bearing

Bearing No. SU004S6

Size	20x42x21 mm
Bore Diameter	20 mm
Outer Diameter	42 mm
Width	21 mm
d	20 mm
D	42 mm
B	21 mm
C	12 mm
S1	14 mm
r min.	0,6 mm
S	7 mm
S2	4 mm
Thread (G)	M5 × 0,5
Weight	0,08 Kg
Basic dynamic load rating (C)	7,9 kN
Basic static load rating (C0)	4 kN
Material	corrosion resistant

SU004S6 Bearing 2D drawings and 3D CAD models