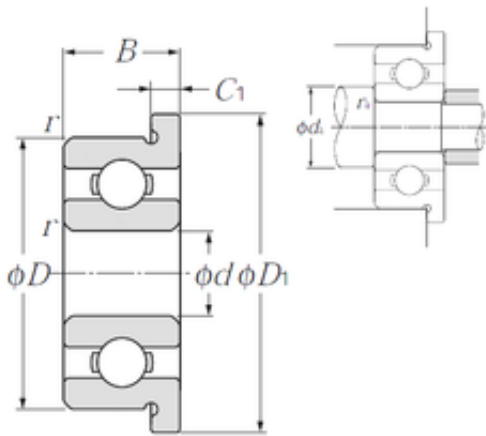




## BEARING DRIVESHAFT ANDERSON, INC.



2,5 mm x 8 mm x 2,8 mm NTN FL60/2,5 Ball bearing

Bearing No. FL60/2,5

Size	2.5x9.5x2.8 mm
Bore Diameter	2,5 mm
Outer Diameter	9,5 mm
Width	2,8 mm
d	2,5 mm
D	8 mm
D1	9,5 mm
B	2,8 mm
r min.	0,15 mm
C1	0,7 mm
da min.	3,7 mm
da max	4,1 mm
Da max.	6,8 mm
ra max.	0,15 mm
Weight	0,83 Kg
Basic dynamic load rating (C)	0,55 kN
Basic static load rating (C0)	0,174 kN
(Grease) Lubrication Speed	56 000 r/min
(Oil) Lubrication Speed	66 000 r/min

FL60/2,5 Bearing 2D drawings and 3D CAD models