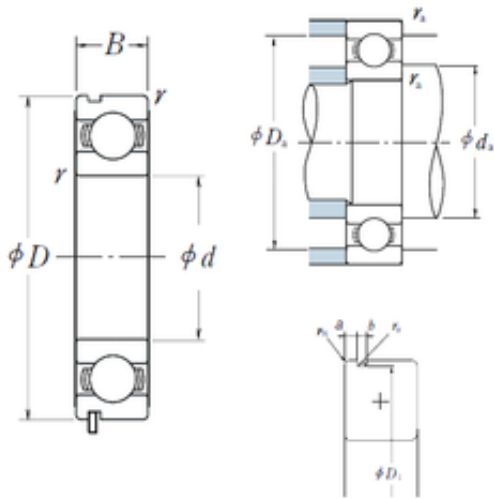




BEARING DRIVESHAFT ANDERSON, INC.



100 mm x 140 mm x 20 mm NSK 6920N Ball bearing

Bearing No. 6920N

6920N Bearing 2D drawings and 3D CAD models

Size	100x140x20 mm
Bore Diameter	100 mm
Outer Diameter	140 mm
Width	20 mm
d	100 mm
D	140 mm
B	20 mm
C	20 mm
rn	0,5 mm
a	3,3 mm
b	1,9 mm
r min.	1,1 mm
r0 max.	0,6 mm
D1	137,6 mm
da min.	106,5 mm
da max	111 mm
Da max.	133,5 mm
ra max.	1 mm
Weight	0,828 Kg
Basic dynamic load rating (C)	43 kN
Basic static load rating (C0)	42 kN
(Grease) Lubrication Speed	4 500 r/min
(Oil) Lubrication Speed	5 300 r/min
SRI	6.16
hidYobi	6920N



BEARING DRIVESHAFT ANDERSON, INC.

LangID	1
ro	0.6
D_	140
SREX	0.025
B_	20
da min	106.5
hidTable	ecat_NSRDGB
Oil rpm	5300
SRE	6.16
mass	0.828
GRS rpm	4500
ra	1
SRIX	0.025
D_a	133.5
SRIN	-0.025
C0	42
fo	16.4
SREN	-0.025
DE_	131.906
Prod_Type3	DGBB_SR_N_OT
DA_	11.906
bomp	0
Z_	18
yobi	6920N
C_conv	43000
ALPHA_	0
SDM_	120
r	1.1
KBRG	6101
SBRG	19
DI_	108.094