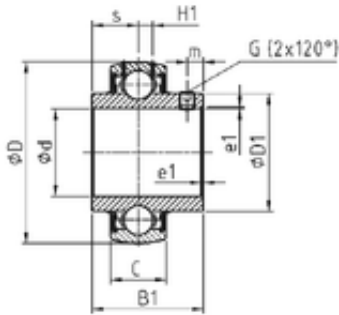




BEARING DRIVESHAFT ANDERSON, INC.



UC215-47 Bearing 2D drawings and 3D CAD models

SNR UC215-47 Ball bearing

Bearing No. UC215-47

| | |
|-------------------------------|-------------------|
| Size | 74.6125x130x30 mm |
| Bore Diameter | 74,6125 mm |
| Outer Diameter | 130 mm |
| Width | 30 mm |
| d | 74,6125 mm |
| D | 130 mm |
| B1 | 77,8 mm |
| C | 30 mm |
| e | 2 mm |
| a | 7/32 mm |
| m | 12 mm |
| s | 33,3 mm |
| D1 | 91,5 mm |
| H1 | 9 mm |
| Thread (G) - 7/16-20UNF | 7/1620UNF |
| Weight | 2,3 Kg |
| Basic dynamic load rating (C) | 66 kN |