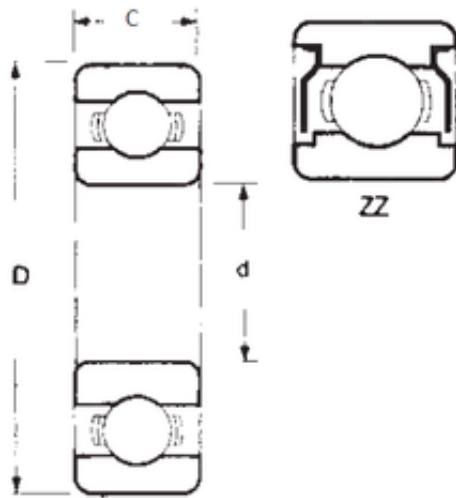




BEARING DRIVESHAFT ANDERSON, INC.



100 mm x 180 mm x 34 mm FBJ 6220ZZ Ball bearing

Bearing No. 6220ZZ

Size	100x180x34 mm
Bore Diameter	100 mm
Outer Diameter	180 mm
Width	34 mm
d	100 mm
D	180 mm
B	34 mm
C	34 mm
Weight	3,15 Kg
Basic dynamic load rating (C)	124 kN
Basic static load rating (C0)	93 kN

6220ZZ Bearing 2D drawings and 3D CAD models