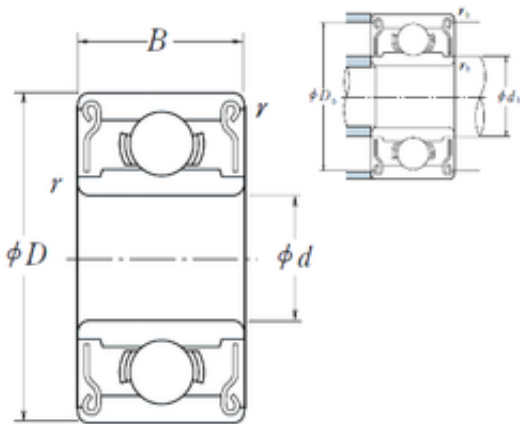




BEARING DRIVESHAFT ANDERSON, INC.



7,938 mm x 12,7 mm x 3,967 mm NSK R 1810 ZZ Ball bearing

Bearing No. R 1810 ZZ

Size	7.938x12.7x3.967 mm
Bore Diameter	7,938 mm
Outer Diameter	12,7 mm
Width	3,967 mm
d	7,938 mm
D	12,7 mm
B	3,967 mm
C	3,967 mm
r min.	0,15 mm
db max.	9 mm
Db min.	11,6 mm
rb max.	0,15 mm
Weight	0,00148 Kg
Basic dynamic load rating (C)	0,54 kN
Basic static load rating (C0)	0,276 kN

R 1810 ZZ Bearing 2D drawings and 3D CAD models