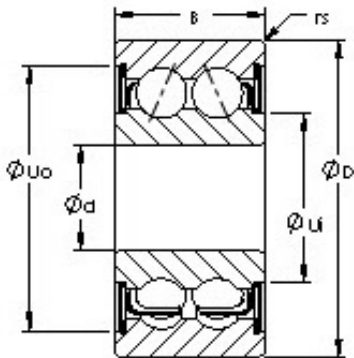




BEARING DRIVESHAFT ANDERSON, INC.



AST 5209ZZ Angular contact ball bearing

Bearing No. 5209ZZ

Size	45x85x30.163 mm
Bore Diameter	45 mm
Outer Diameter	85 mm
Width	30,163 mm
Bearing Type	shielded
Bore Dia (d)	45.0000
Outer Dia (D)	85.0000
Width (B)	30.1630
Radius (min) (rs)	1.100
Dynamic Load Rating (Cr)	48,800
Static Load Rating (Cor)	39,000
Max Speed (Grease) (X1000 RPM)	5
Max Speed (Oil) (X1000 RPM)	7
Max. Shaft Shoulder Dia. Inner (Ui)	52.0
Min. Housing Shoulder Dia., Outer (Uo)	80.000
Weight (g)	570.00
Precision	A1
Standard Clearance	C0
Material	52100 Chrome steel, or equivalent

5209ZZ Bearing 2D drawings and 3D CAD models