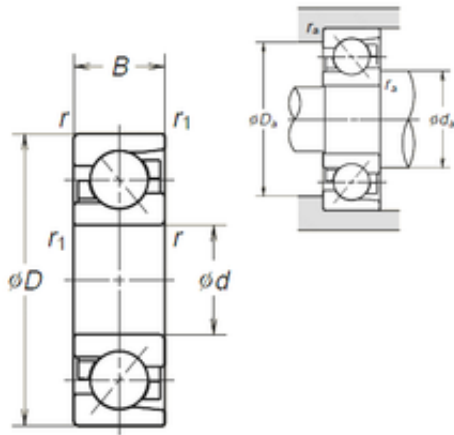




# BEARING DRIVESHAFT ANDERSON, INC.



80 mm x 170 mm x 39 mm NSK 7316BEA  
Angular contact ball bearing

Bearing No. 7316BEA

Size	80x170x39 mm
Bore Diameter	80 mm
Outer Diameter	170 mm
Width	39 mm
d	80 mm
D	170 mm
B	39 mm
C	39 mm
r min.	2,1 mm
r1 min.	1,1 mm
da min.	92 mm
Da max.	158 mm
db min	87 mm
ra max.	2 mm
rb max.	1 mm
Db max	163 mm
Basic dynamic load rating (C)	138 kN

7316BEA Bearing 2D drawings and 3D CAD models