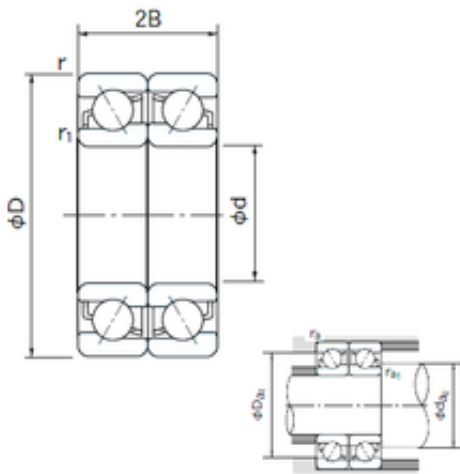




BEARING DRIVESHAFT ANDERSON, INC.



85 mm x 180 mm x 41 mm NACHI 7317BDF
Angular contact ball bearing

Bearing No. 7317BDF

7317BDF Bearing 2D drawings and 3D CAD models

Size	85x180x41 mm
Bore Diameter	85 mm
Outer Diameter	180 mm
Width	41 mm
d	85 mm
D	180 mm
B	41 mm
C	41 mm
Angle (°)	40 °
a	35.2 mm
r min.	3 mm
r1 min.	1.1 mm
2B	82 mm
da min.	92 mm
Da max.	173 mm
ra max.	1 mm
Weight	4.90 Kg
Basic dynamic load rating (C)	244 kN
Basic static load rating (C0)	251 kN
(Grease) Lubrication Speed	2400 r/min
Bore Type	Cylindrical Bore
Enclosure	Open
Configuration	Duplex
Bore Size	85 mm
Outside Diameter	180 mm



BEARING DRIVESHAFT ANDERSON, INC.

Width	41 mm
Fillet Radius/Chamfer	3 mm
r1	1.1 mm
Dynamic Load Rating	244,000 N
Static Load Rating	251,000 N
Limiting Speed - Grease	2,400 rpm
Limiting Speed - Oil	3,200 rpm
da1 (min)	99 mm
da2 (min)	92 mm
Da1 (max)	166 mm
Da2 (max)	173 mm
ra (max)	2.5 mm
ra1 (max)	1 mm