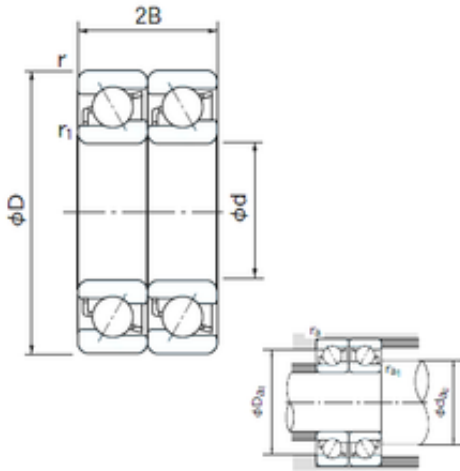




BEARING DRIVESHAFT ANDERSON, INC.



65 mm x 120 mm x 23 mm NACHI 7213DT
Angular contact ball bearing

Bearing No. 7213DT

7213DT Bearing 2D drawings and 3D CAD models

Size	65x120x23 mm
Bore Diameter	65 mm
Outer Diameter	120 mm
Width	23 mm
d	65 mm
D	120 mm
B	23 mm
C	23 mm
Angle (°)	30 °
a	15.2 mm
r min.	1.5 mm
r1 min.	1 mm
2B	46 mm
da min.	70 mm
Da max.	114.6 mm
ra max.	1 mm
Weight	1.02 Kg
Basic dynamic load rating (C)	114 kN
Basic static load rating (C0)	116 kN
(Grease) Lubrication Speed	3900 r/min
Bore Type	Cylindrical Bore
Enclosure	Open
Configuration	Duplex
Bore Size	65 mm
Outside Diameter	120 mm



BEARING DRIVESHAFT ANDERSON, INC.

Width	23 mm
Fillet Radius/Chamfer	1.5 mm
r1	1 mm
Dynamic Load Rating	114,000 N
Static Load Rating	116,000 N
Limiting Speed - Grease	3,900 rpm
Limiting Speed - Oil	5,300 rpm
da1 (min)	74 mm
da2 (min)	70 mm
Da1 (max)	111 mm
Da2 (max)	114.6 mm
ra (max)	1.5 mm
ra1 (max)	1 mm