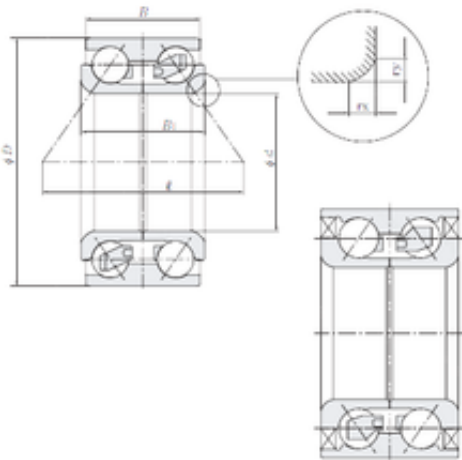




BEARING DRIVESHAFT ANDERSON, INC.



35 mm x 72 mm x 34 mm NTN
DE0763CS46PX1/5A Angular contact ball bearing

Bearing No. DE0763CS46PX1/5A

Size	35x72x34 mm
Bore Diameter	35 mm
Outer Diameter	72 mm
Width	34 mm
d	35 mm
D	72 mm
B	34 mm
C	34 mm
rx	3 mm
ry	2,8 mm
	55,1 Tolerance h14
Weight	0,58 Kg
Basic dynamic load rating (C)	32 kN
Basic static load rating (C0)	25 kN

DE0763CS46PX1/5A Bearing 2D drawings and 3D CAD models